

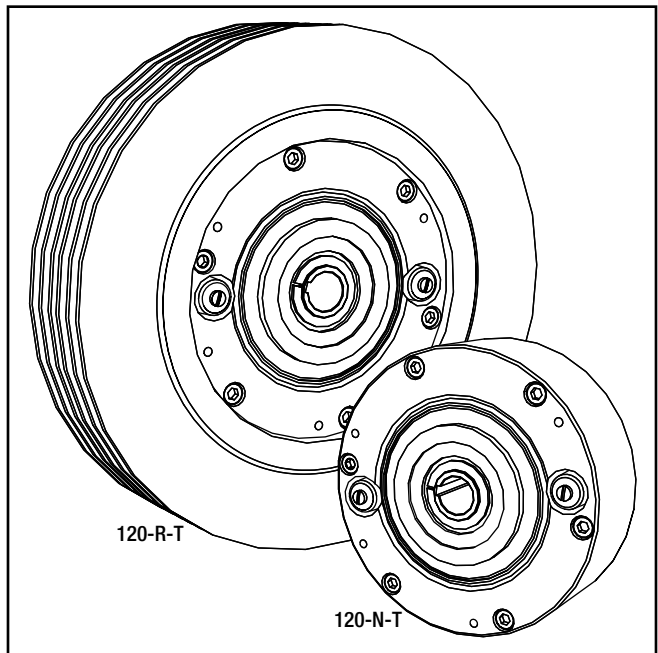
Montalvo

MP-Series

Magnetic Particle Brakes

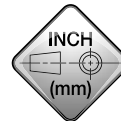
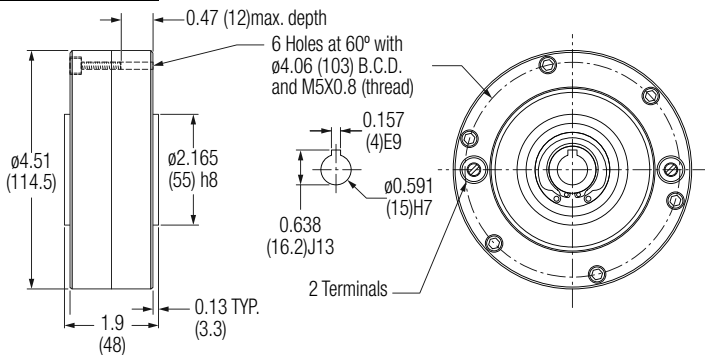
Models: **120**
MP-B-120-N-T / MP-B-120-R-T

- Versatile Thru-Bore design
- Torque range to **106 in-lb (12 Nm)**
- Two cooling options
- Easily integrates into other systems
- Easy setup and operation

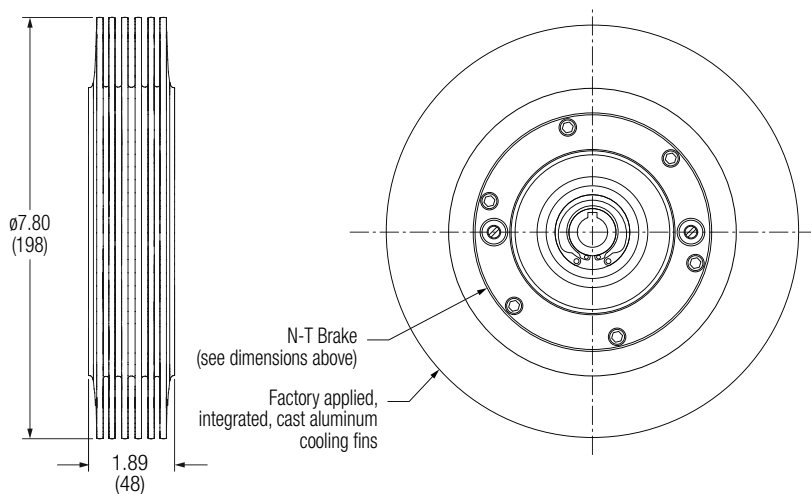


Ideal for clean room environments, Montalvo's MP-Series Brakes are a key component in high quality unwind applications. MP Brakes apply force (torque) to unwind webs in either closed or open-loop tension control systems. The **MP-B-120-N-T** features a compact size. The **MP-B-120-R-T** offers greater heat dissipation through passive radial cooling with an **optional blower kit** for maximum cooling. MP-Series Brakes utilize the **VC2 Voltage Converter**, a micro-controller regulated current power supply.

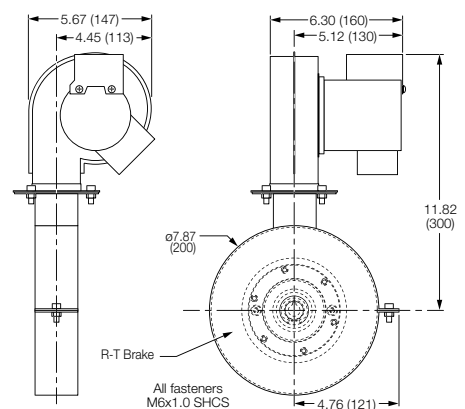
MP-B-120-N-T



MP-B-120-R-T



MP-B-120-R-T w/ Blower Kit

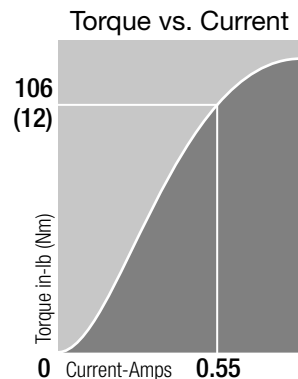
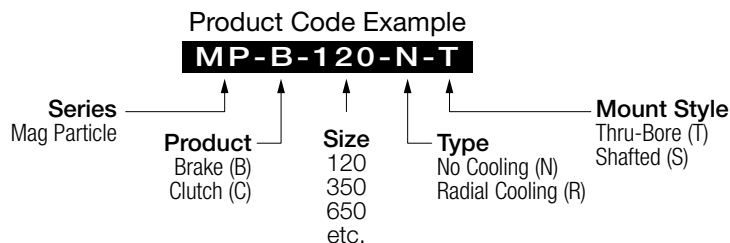


D A T A S H E E T

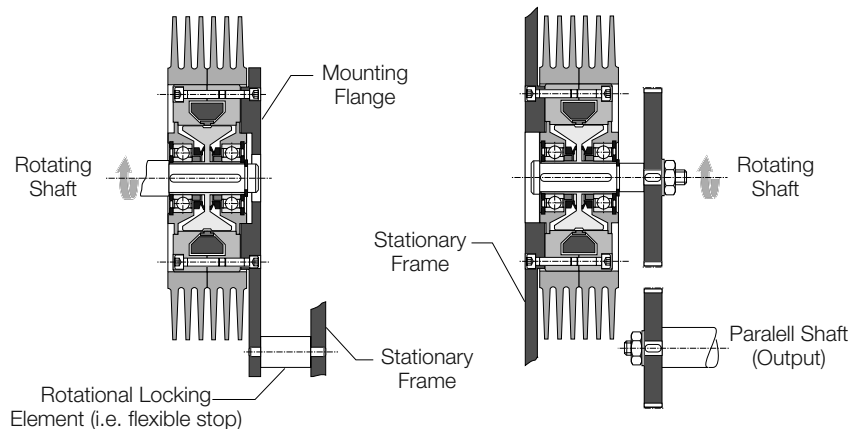


Specifications		MP-B-120-N-T	MP-B-120-R-T
Torque - Max.	in-lb (Nm)	106 (12)	
Torque - Min.	in-lb (Nm)	2.4 (0.27)	
Torque - Min. (RR version) ⁽⁴⁾	in-lb (Nm)	5.0 (0.56)	
Current - Rated	A	0.55	
Coil Resistance ⁽¹⁾	Ω	23	
Rotor Inertia	in-lb ² (kg-m ²)	0.8543 (0.25x10 ⁻³)	
Rotation Speed - Min. ⁽²⁾	rpm (mn ⁻¹)	40	
Rotation Speed - Max. ⁽²⁾	rpm (mn ⁻¹)	3000	
Temperature (housing) - Rated ⁽³⁾	°F (°C)	212 (100)	
Temperature (housing) - Max. ⁽³⁾	°F (°C)	248 (120)	
Heat Dissipation	HP (Watts)	0.10 (75)	0.20 (150)
Heat Dissipation w/ Cooling Kit	HP (Watts)	—	Blower 0.87 (650)
Weight	lb (kg)	5.72 (2.60)	9.68 (4.40)
Weight w/ Cooling Kit	lb (kg)	—	Blower 15.39 (7.00)

- (1) At 20°C (varies with the coil temperature).
- (2) Except RR versions. Any further request, consult Montalvo.
- (3) Max for rated life.
- (4) Remnant Rotor version.



Recommended Mounting



Installation Hotlines

- 🇺🇸 207-856-2501 / 800-226-8710
- 🇪🇺 +86-21-52188010
- 🇩🇪 +45 75 57 27 11
- 🇮🇹 +49 (0)511 760 691 41

